

SDC-Slimline Electric Water Heater

100 - 215 Litres

Small Footprint Twin Immersion Water Heater

The SDC-Slimline range comprises five compact models of a high-grade duplex stainless steel cylinder, fitted with either one or two 3kW immersion heaters to provide heat input. As an unvented system, the SDC-Slimline uses mains cold water as supply. The cylinder incorporates a thermostat which is factory set at 65°C. The twin immersion heaters are used to maintain this target temperature to ensure the cylinder contains hot water. As water is drawn off, fresh mains water is replenished and heated to the set point.

All SDC-Slimline products are manufactured in the UK to relevant EU directives and in accordance with UK Building Regulations. The range also has WRAS approval and is ERP B rated.

Please visit our website for further information on our products and services

www.strebel.co.uk

Trusted By
Commercial
Heating Engineers
Since 1893

500mm

Cylinder Diameter

100-215L

Cylinder Capacity

60mm

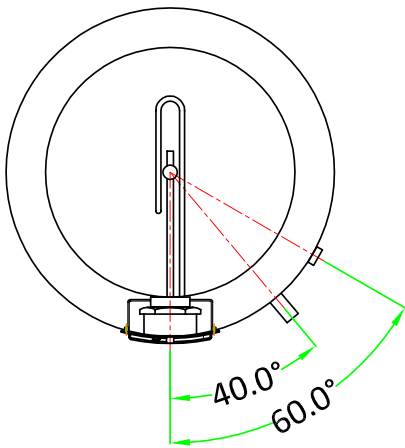
Thermal Insulation

70L/min

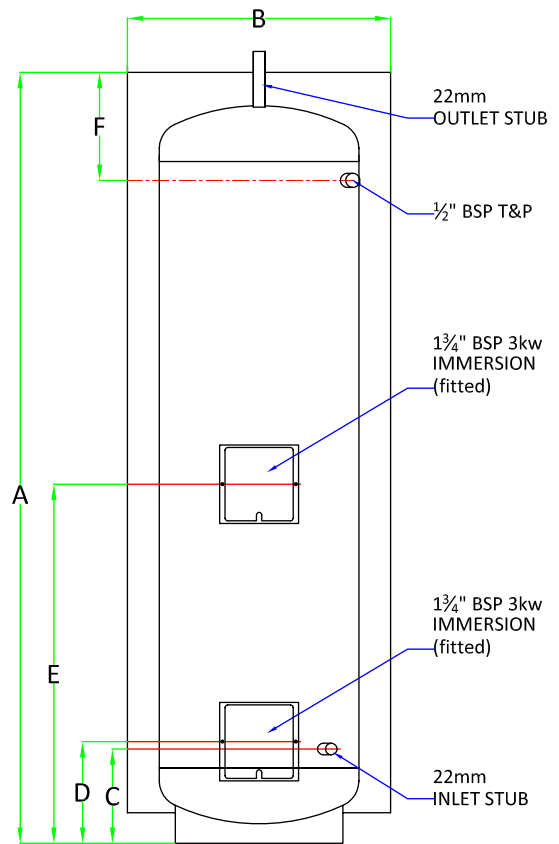
Water Flow at 3 Bar

SDC-Slimline Electric Water Heater

- WRAS Approved
- ERP Class B
- 25 Year Cylinder Warranty



Plan view showing position of immersion heater



VESSEL SIZE (LTRS)	DIMENSIONS (mm)					
	A	B	C	D	E	F
100	1042	500	179	193	550	205
130	1324	500	179	193	643	205
150	1464	500	179	193	682	205
175	1736	500	179	193	832	205
210	2008	500	179	193	1008	205



Warranty and Spares

Warranty

The SDC-Slimline Cylinder is offered with a 25-year warranty assuming it has been correctly installed and serviced annually by a STREBEL service engineer.

All other components are offered with a 2 year warranty from date of purchase. Such components include: valves, expansion vessel, immersion heaters, fittings and controls.

Spares

Availability of Spares to the right specification and at the right time is essential to the successful operation of any plant room item.

At our central Warehouse facility we stock a wide range of commonly used parts which can be dispatched directly to site for the following day assuming the order is received the morning before.



Strebel SDC-Slimline Technical Data

Technical Specifications						
Model		SDC-Slimline 100	SDC-Slimline 130	SDC-Slimline 150	SDC-Slimline 175	SDC-Slimline 215
Volume	Litres	100	130	150	175	215
Insulation Thickness	mm	60	60	60	60	60
Immersion Heater	No. x kW	1 x 3kW	2 x 3kW	2 x 3kW	2 x 3kW	2 x 3kW
Immersion Element		Incalloy				
Standing Loss	kWh/24h	0.93	0.97	1.06	1.21	1.39
Max Flow at 3bar	l/min	70	70	70	70	70
WRAS Approved		Yes				
Water Heating Class	ERP	B	B	B	B	B
Thermostat Temp Std	°C	65	65	65	65	65
Dry Weight	kg	26	35	40	40	43
Wet Weight	kg	126	165	190	215	253

The company reserves the right to change the specifications and dimensions without prior notice. E.&O.E.

Seven Reasons to Use Strebel

We are proud of our history and the disciplines instilled in the company by our founder Josef Strebel.

It's the Strebel way - uncompromising product quality and customer care.

S	AFETY	At the heart of everything we do
T	RUSTED	By engineers since 1893
R	OBUST	High quality components
E	ASE	Of installation
B	EST	Practice throughout design, manufacturing and installation
E	NGINEERED	For long trouble free product life
L	OGICAL	Sophisticated control software



Customer Support

As with all Strebel products, the SDC-Slimline electric water heater range is fully supported by our excellent customer service team and experienced technical engineers. Whether you are looking for product advice or for maintenance and repair, our service team are on hand to support you and can be contacted easily via telephone or online.

+44 (0) 1276 685 422 info@strebel.co.uk